

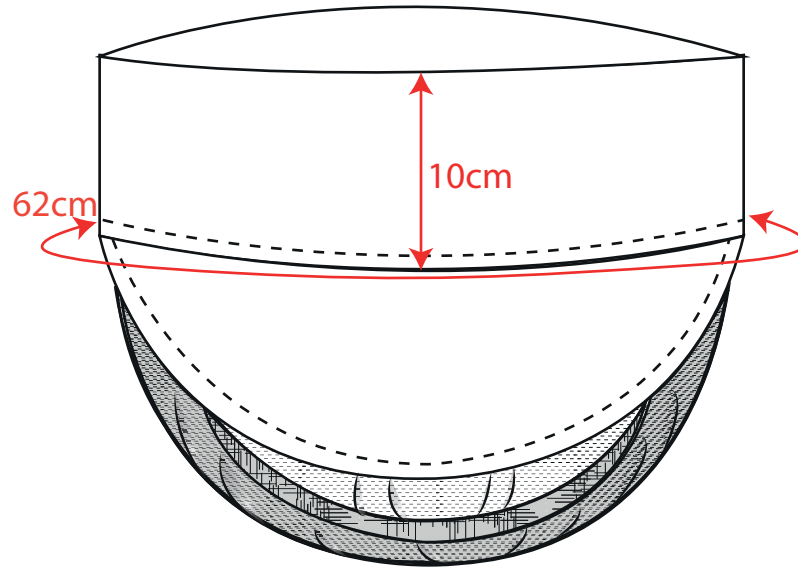
STYLE NO: S896

DESCRIPTION: Snood Cap

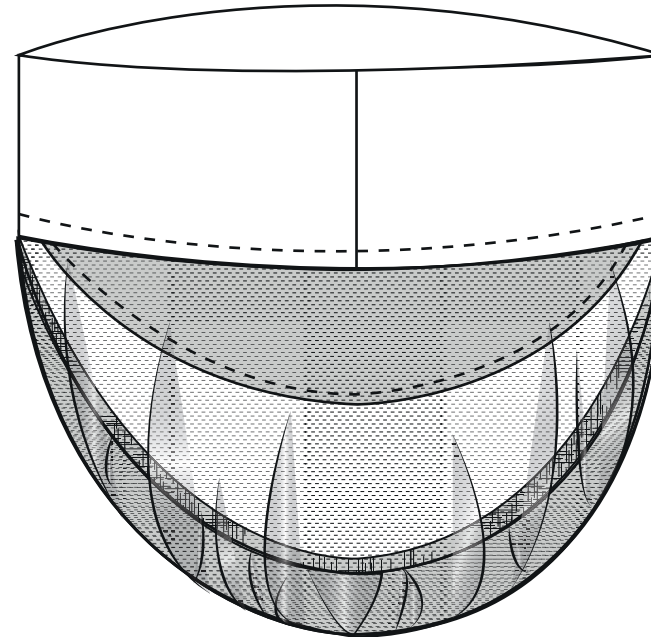
FABRIC: 100% Cotton 280g
MeshAir 65g

COLOUR: White

Front View



Back View



Side View

